



SOCKETS

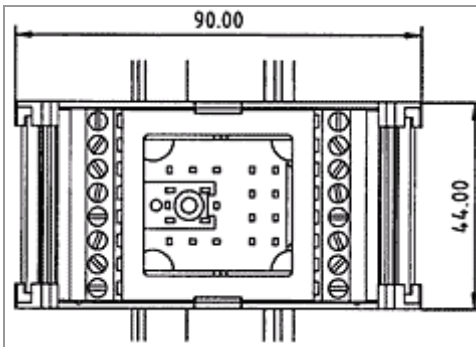
PAV à clips pour série 1800 et GE



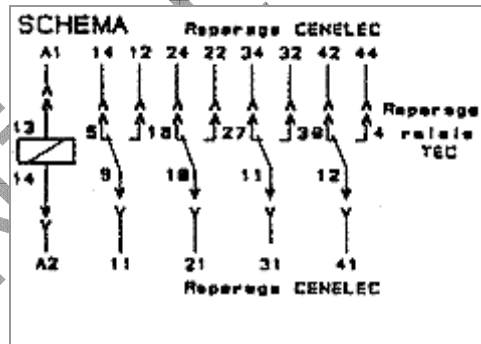
TEC

front wiring socket with clips 9876

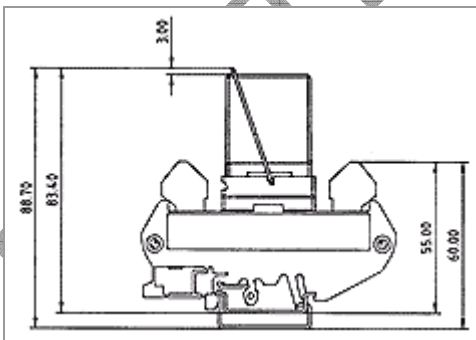
Dimensions



Connection



ASSEMBLY



TECHNICAL FEATURES

- * TEC or CENELEC numbering
- * Mounting on symmetrical or dissymmetrical DIN track
- * Connection : double tab terminal for 2,8 x 0,5 mm clips.
- * Moulding material : thermoplastic PVC UL 94 V0

VERSIONS ▾

9876 socket is a front wiring socket with clips for relays of 1800 and GE series.

It can be delivered with following options :

- * free wheel diode + on 13/A1
- * free wheel diode + on 14/A2
- * Protection Gemov in // on the coil

OPTIONS ▾

See detailed indication regarding mounting and withdrawal in the technical support pages of this site.

ACCESSORIES ▾

- * Hold down springs ref. 9881 for relays 1804 - 1808 - 1814
- * Hold down springs ref. 9882 for relays 1841 - 1846 - 1848
- * Complet coding accessory ([see details in our technical support pages](#)).



İmaj Teknik Elektrik Elektronik San. ve Tic. Ltd. Şti.
EMEKYEMEZ MAH.TUTSAK SOK. NO: 16/13-14-15
KARAKOY/İSTANBUL
TURKEY

Telefon : +90 212 235 9535 / 36 www.ijajteknik.com
Fax : +90 212 235 9537 www.ijajteknik.com.tr